



PRODUCT CODE EXPANSION

Ebatlar / Dimension
Işık rengi / Light Color
Voltaj / Voltage
Jack/connector
IP koruma sınıfı / IP class
Gövde rengi/Body Color

LDBP - **D** - **C** - **V** - **J** - **I** - **G**

LDBP: "4"-Ø	130-	7W-	831 LM-	15 LED
LDBP: "4"-Ø	130-	12W-	1385LM-	25 LED
LDBP: "5"-Ø	160-	12W-	1385LM-	25 LED
LDBP: "6"-Ø	160-	12W-	1385LM-	25 LED
LDBP: "6"-Ø	160-	17W-	1938LM-	35 LED
LDBP: "8"-Ø	210-	22W-	2493LM-	45 LED
LDBP: "8"-Ø	210-	29W-	3323LM-	60 LED
LDBP: "8"-Ø	210-	40W-	4635LM-	45 LED

Consult our technical department at + 35°C and above ambient temperatures

Protection Class: IP 20 , 40 , 65
Product Life > 60,000 hours



PRODUCT FEATURES

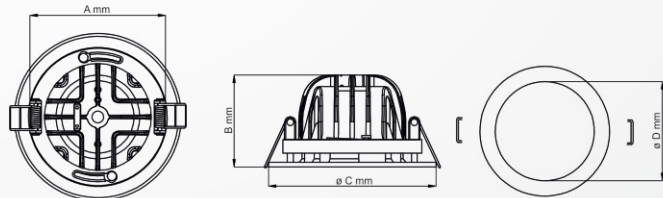
APPLICATION AREAS

Office and Working Areas, Education, Health & Sport Center
Shopping Malls and Showrooms, Retail Stores & Markets,
Petrol Stations

- Excellent cooling performance at every point
- Different diffuser options for higher ceilings
- Special diffuser for glare control
- Lighting grade PMMA or PS diffuser for glare control
- Color temperature consistency within 3-step Mac Adam
- Measurements according to EN 60598-1 and related sub standards
- Photometric measurements according to IESNA-LM-79-08 standard

ELECTROMECHANICAL SPECIFICATIONS LDBP-D-C-V-J-I-G

- Aluminum PCB (2.0 W/mK).
- High quality aluminum injection housing and frame.



LIGHT COLOUR OPTIONS

C	CW: Cold White - 5000K
	NW: Natural White - 4000K
	WW: Warm White - 3000K

LDBP-D-C-V-J-I-G

BODY COLOUR OPTIONS

G W	: White
G B	: Black
G G	: Grey

LDBP-D-C-V-J-I-G

LimaDown BP

SOCKET OPTIONS

LDBP-D-C-J-I-G

Luminaire has cabled and socket options.



IP PROTECTION CLASS

LDBP-D-C-J-I-G

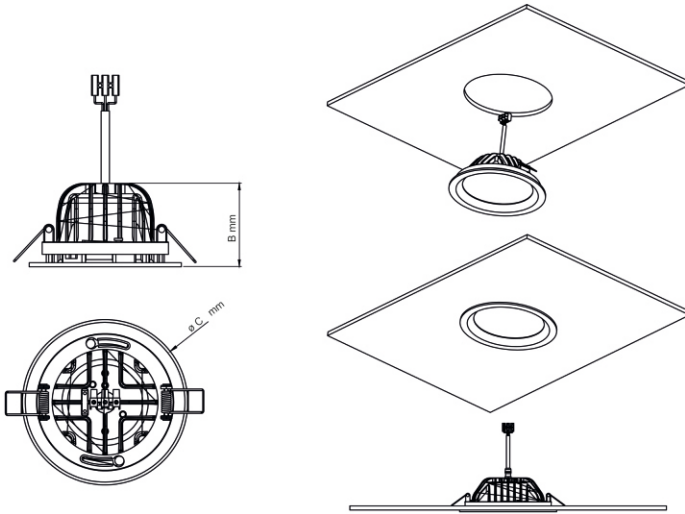
20: Cover-IP20

40 :Cover-IP40

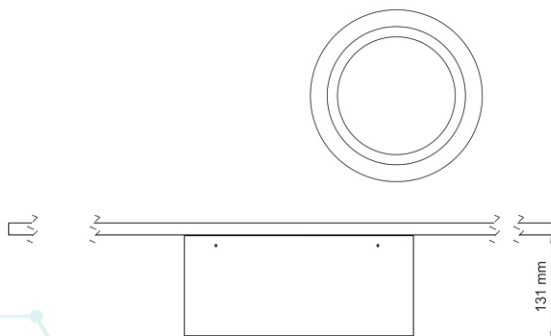
65: Cover-IP65

MOUNTING OPTIONS

M C: Recessed



M S: Surface Mounted



LimaDown BP

Light Distribution

EXTERNAL ACCESSORIES

- Sensor, dimming, wireless connection features.
- 1-10V, DALI automation integration.

Light Distribution

